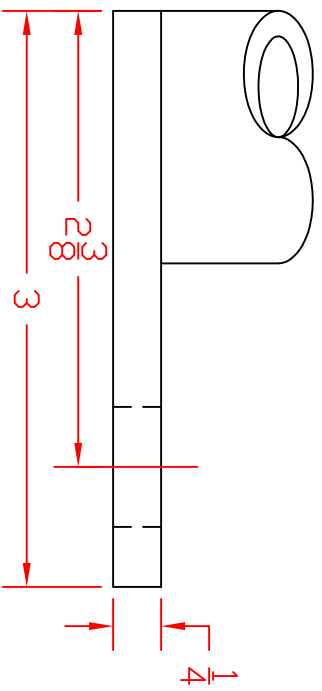
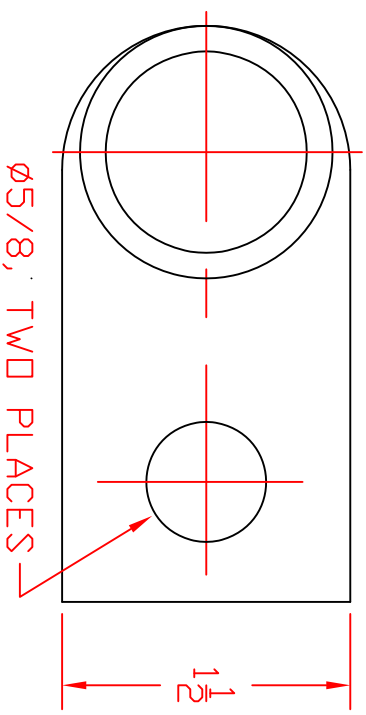
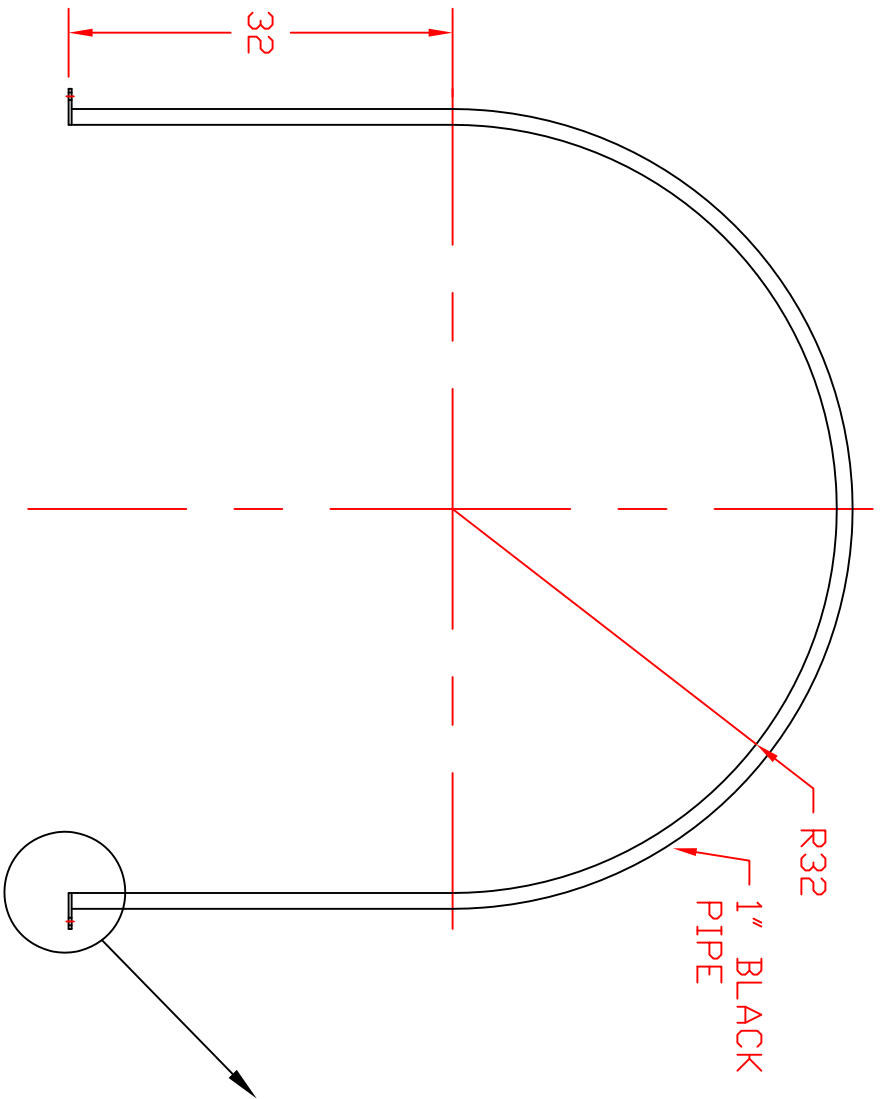


REVISIONS				
ZONE	REV	DESCRIPTION	DATE	APPROVED



FULL SCALE DETAIL

FINISH: HOT DIPPED GALVANIZED

JTP 15SEP03

**NORWESCO**  
 ST. BONIFACIUS, MN  
 BAND, 1325 HORIZONTAL &  
 1310 DRAINABLE TANKS

SIZE: A  
 FSCM NO.: 63282  
 DWG NO.: 63282  
 SCALE 1/16 SHEET